



QFG Automated-Gate



Intervall-open



Emergency-open

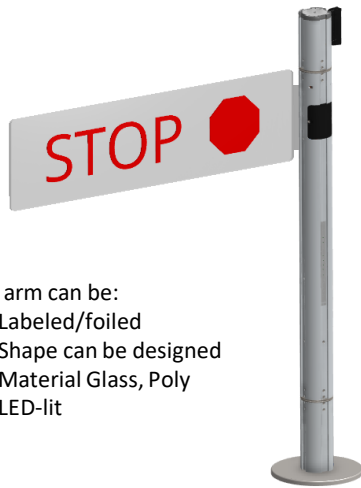


Remote

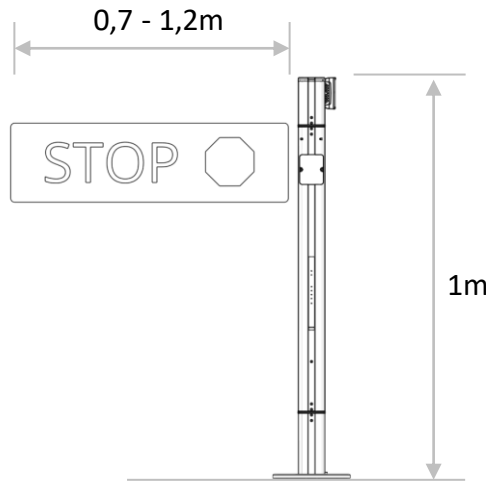


Battery

QFG Automated-Gate



- The arm can be:
- Labeled/foiled
 - Shape can be designed
 - Material Glass, Poly
 - LED-lit



Completely cable-free with battery and



Mounting with flange or self-adhesive magnet plate



Emergency-Alarm optional



› SYSTEM PROPERTIES

Mounting	Fixed mounting in floor (recommendet) Magnet base for "light" applications
Dimensions	7cm Ø, 1m high, Armlength up to max 1500mm
Runtime	Down to 2 sec. for 90 deg. or slower aprox. 1000 cycles at typical conditions
Wire-based operation	Power and control via lan cable possible – cablelength up to 100m
Arm	Recommendet 10mm Polycarbonat Labling with (printed) foil Many shapes and designs possible

› ELECTRIC PROPERTIES

Power supply	Rechargeable battery for aprox. 1000 turns Charger 230V 24W
Remote	Reach: typically line of sight
Operation	Only indoorsbetween 0° and 45° celsius
Certificates	

